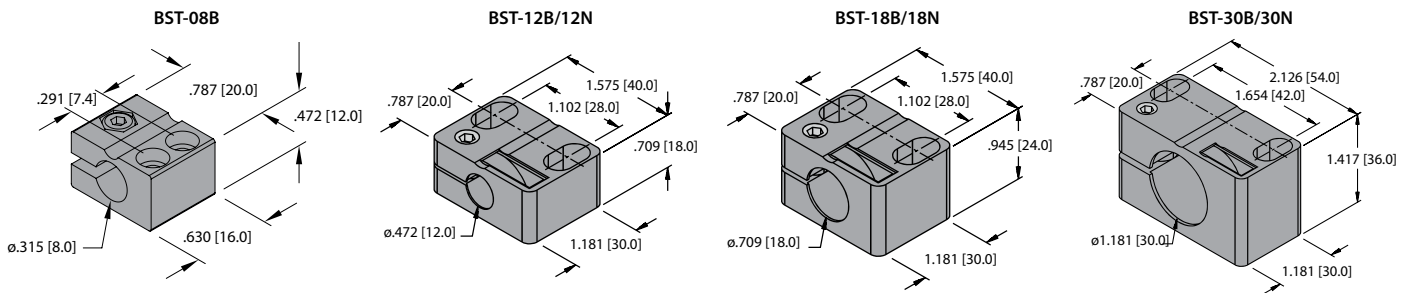


## Accessories

### Mounting Clamps



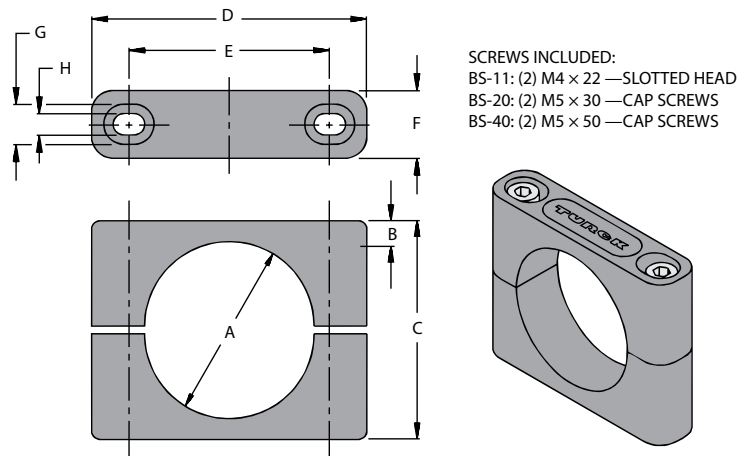
Part Number	ID Number	Barrel Diameter
BST-08B	6947210	8 mm
BST-12B	6947212	12 mm
BST-12N	6945200	12 mm
BS-18B	6947214	18 mm
BST-18N	6947215	18 mm
BST-30B	6947216	30 mm
BST-30N	6947217	30 mm

Inches [mm]

B Version comes with dead stop for flush mounted sensors

Material: PA 66-6F

We reserve the right to make technical alterations without prior notice.



SCREWS INCLUDED:  
 BS-11: (2) M4 × 22 —SLOTTED HEAD  
 BS-20: (2) M5 × 30 —CAP SCREWS  
 BS-40: (2) M5 × 50 —CAP SCREWS

Part Number	ID Number	Barrel Diameter	A	B	C	D	E	F	G	H
BS-11	A3075	11 mm	0.43 [11.0]	0.20 [5.0]	0.79 [20.0]	1.26 [32.0]	0.79 [0.0]	0.47 [12.0]	0.32 [8.2]	0.17 [4.3]
BS-20	69464	20 mm	0.79 [20.0]	0.24 [6.0]	1.18 [30.0]	1.81 [46.0]	1.22 [31.0]	0.59 [15.0]	0.37 [9.5]	0.21 [5.3]
BS-40	69466	40 mm	1.57 [40.0]	0.24 [6.0]	1.97 [50.0]	2.56 [65.0]	1.87 [47.5]	0.63 [16.0]	0.37 [9.5]	0.21 [5.3]

Inches [mm]

Bracket Material: PBT

Screw Bracket: Galvanized zinc

\*For use with 11, 20, and 40 mm smooth plastic barrel sensors

